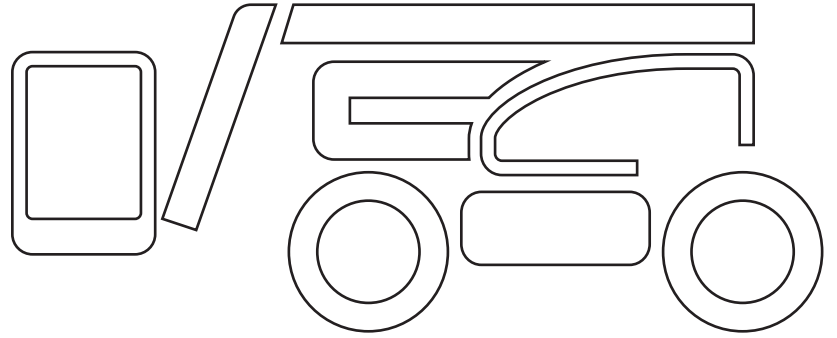
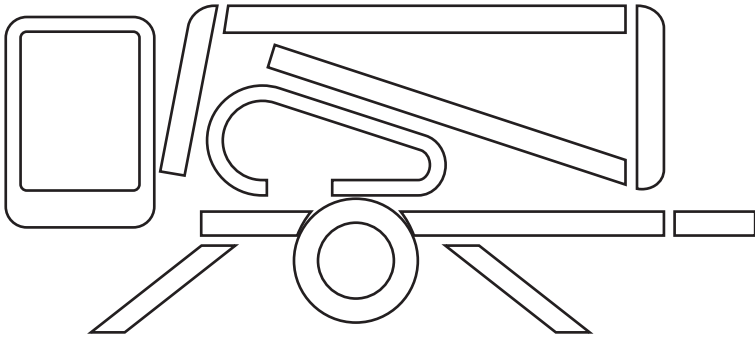
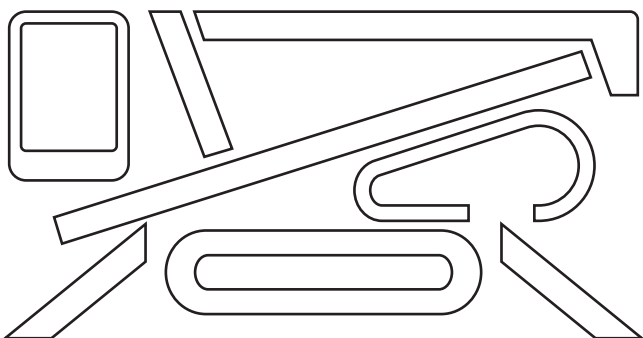
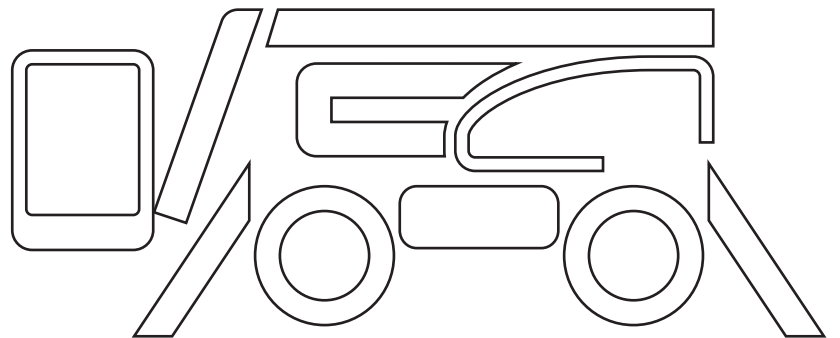


Date: \_\_\_\_\_



Colour me  
**nifty**  
Activity Book

Name: \_\_\_\_\_



**niftylift**

# Word Search



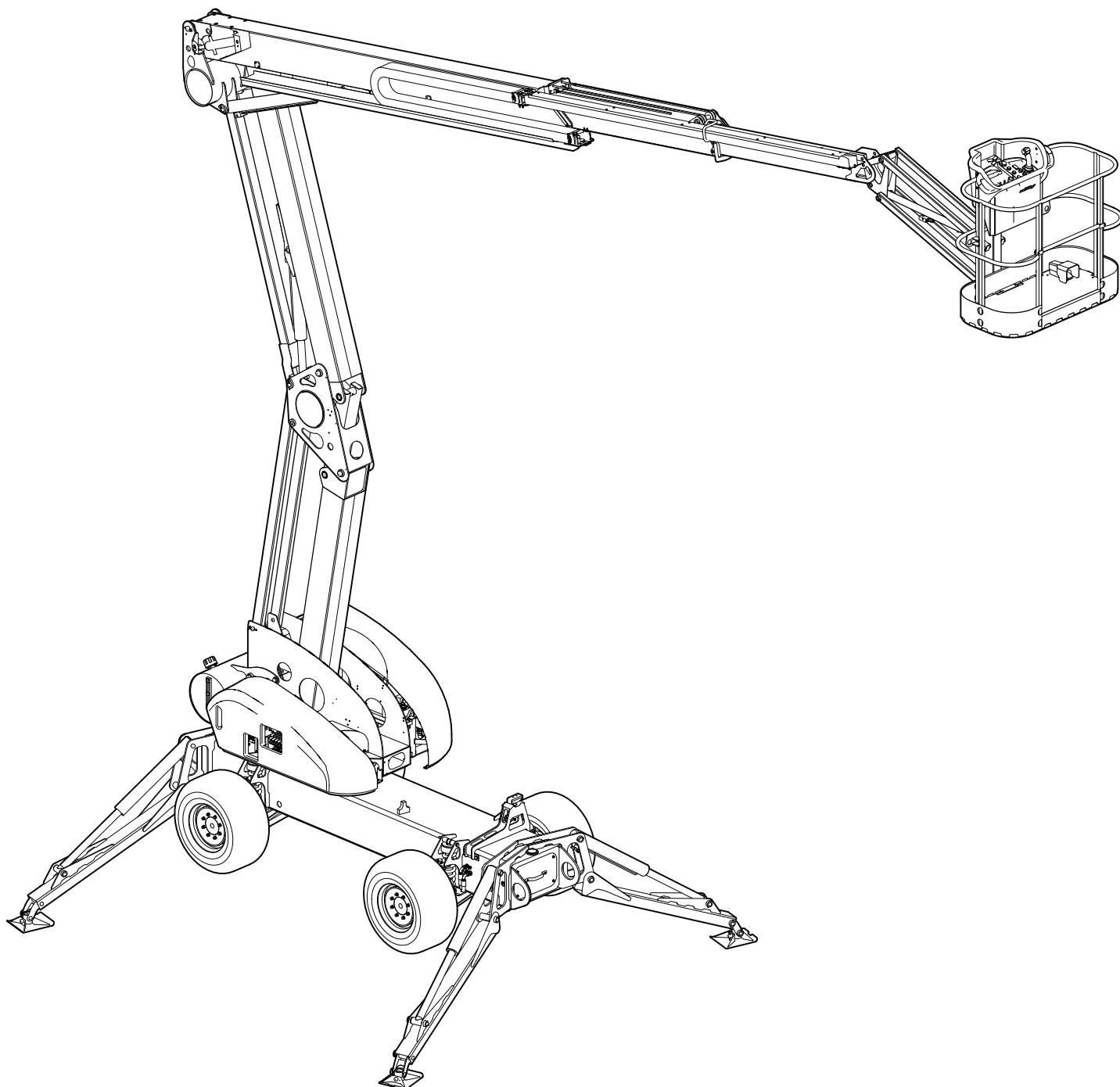
accessplatform  
battery  
connected  
inteligent  
niftylift

niftylink  
platform  
powerful  
quiet  
reliable

safe  
selfpropelled  
siops  
smart  
trackdrive

trailermounted  
versatile  
workingheight  
workplatform  
zeroemission

*niftylift*

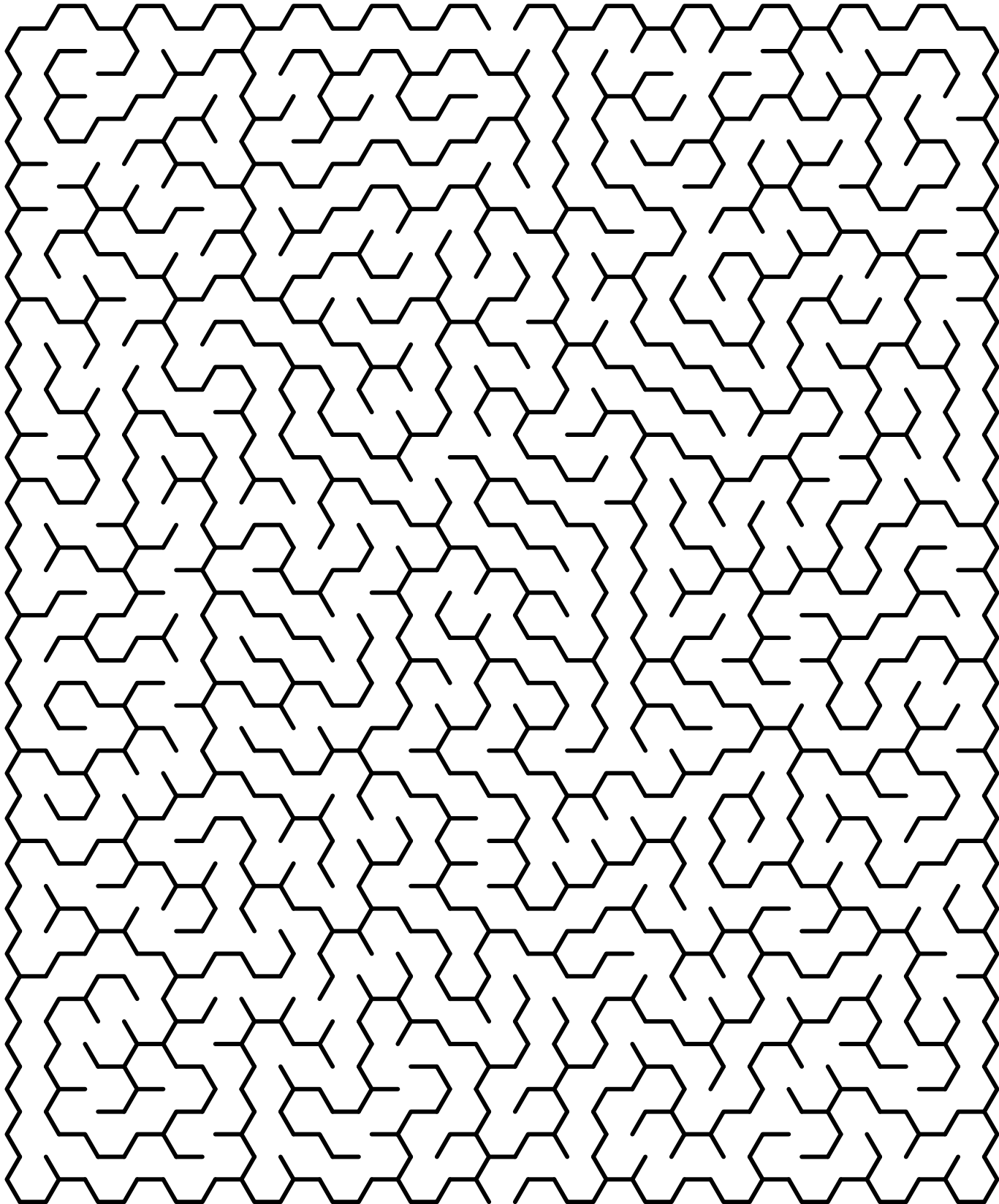


*SD210 4x4x4*



# Maze

START



FINISH

# Sudoku

## Easy

	8	2			1			
	9							
1		3		4		8	7	
5	7				6	2		
	1		4		5		9	
		6	9				1	5
	6	1		2		3		9
							6	
			6			4	5	

## Medium

				8	3		2	4
5			1					
				6			9	
3	8		4			7	6	2
	9						4	
7	5	4			8		3	1
	7			9				
					7			8
1	6		8	4				

## Hard

		8		9			1	6
						9		
		7		2				4
	9		3	8	5			2
	6		9		4		5	
7			1	6	2		4	
3				1		5		
		1						
8	7			5		4		

## Evil

	6			3		5		
			6				7	
		3			8	9	4	6
	3	8	4	1				
6								4
				8	6	1	9	
8	4	5	3			7		
	2				9			
		6		5			8	

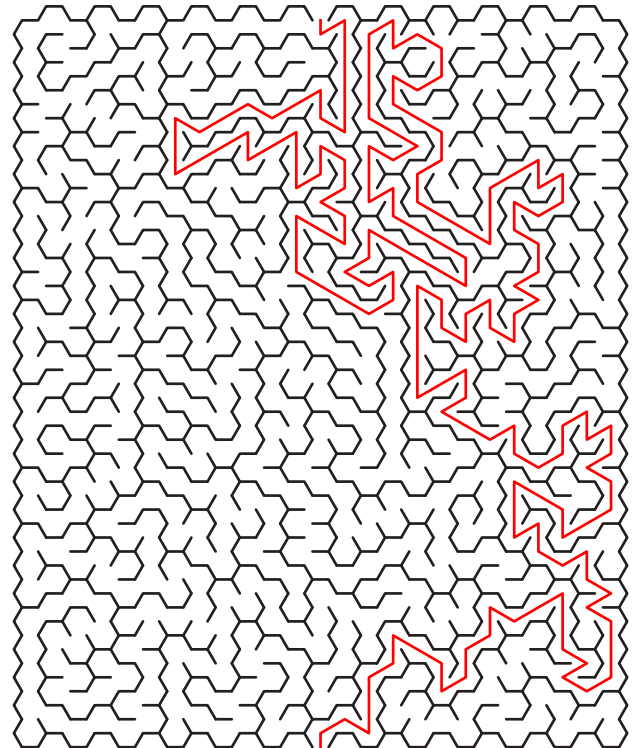
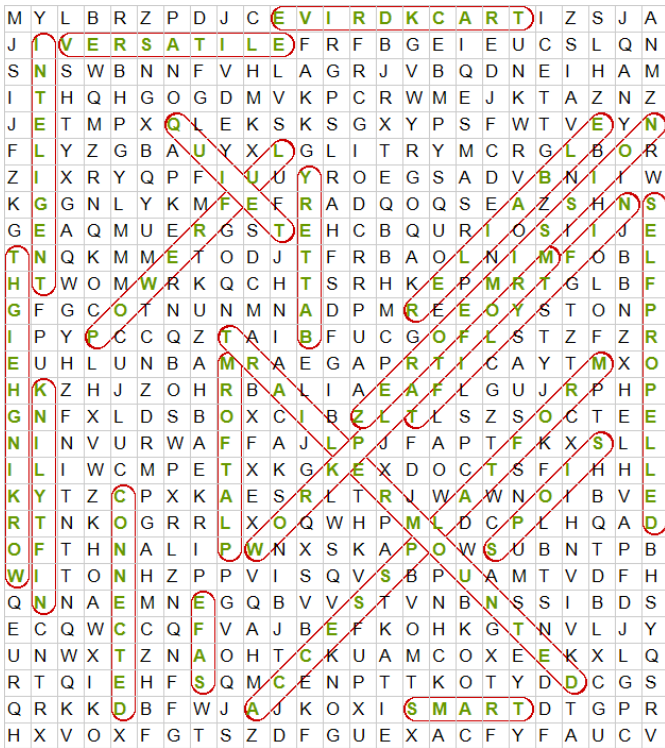
# Spot the Diff



Can you find all 10?



# Answers



## Easy

6	8	2	7	5	1	9	3	4
7	9	4	8	6	3	5	2	1
1	5	3	2	4	9	8	7	6
5	7	9	1	3	6	2	4	8
2	1	8	4	7	5	6	9	3
3	4	6	9	8	2	7	1	5
4	6	1	5	2	7	3	8	9
8	2	5	3	9	4	1	6	7
9	3	7	6	1	8	4	5	2

## Medium

6	1	7	9	8	3	5	2	4
5	2	9	1	7	4	3	8	6
4	3	8	5	6	2	1	9	7
3	8	1	4	5	9	7	6	2
2	9	6	7	3	1	8	4	5
7	5	4	6	2	8	9	3	1
8	7	5	2	9	6	4	1	3
9	4	2	3	1	7	6	5	8
1	6	3	8	4	5	2	7	9

## Hard

4	3	8	5	9	7	2	1	6
6	1	2	4	3	8	9	7	5
9	5	7	6	2	1	8	3	4
1	9	4	3	8	5	7	6	2
2	6	3	9	7	4	1	5	8
7	8	5	1	6	2	3	4	9
3	4	9	8	1	6	5	2	7
5	2	1	7	4	9	6	8	3
8	7	6	2	5	3	4	9	1

## Evil



7	6	4	9	3	1	5	2	8
5	8	9	6	2	4	3	7	1
2	1	3	5	7	8	9	4	6
9	3	8	4	1	5	2	6	7
6	7	1	2	9	3	8	5	4
4	5	2	7	8	6	1	9	3
8	4	5	3	6	2	7	1	9
1	2	7	8	4	9	6	3	5
3	9	6	1	5	7	4	8	2

Please contact [marketing@niftylift.com](mailto:marketing@niftylift.com) with any questions, comments or suggestions.