

# niftylift

# HR12L



(A) 12.1m  
39ft 6in



(B) 10.1m  
33ft



(C) 6.4m  
21ft



200kg  
440lbs



1.2m x 0.85m  
3ft 11in x 2ft 9in



(D) 1.98m  
6ft 6in



(F) 1.79m  
5ft 11in



(J) 3.97m  
13ft



6km/h  
3.7mph



3.63m  
11ft 11in



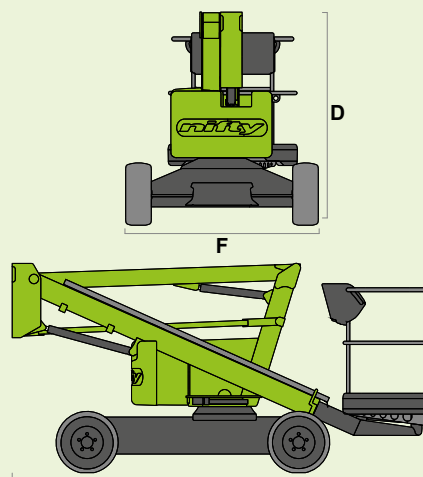
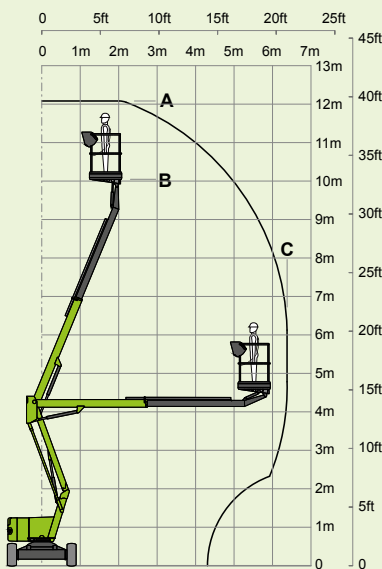
25%  
14°



2540kg / 2470kg\*  
5600lbs / 5445lbs\*



\* Lithium Battery Option

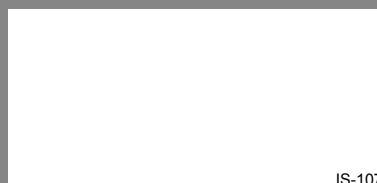


SiOPS®  
toughcage

All-Electric  
Niftylink®

**niftylift**

Chalkdell Drive, Shenley Wood,  
Milton Keynes, MK5 6GF  
England, United Kingdom  
+44 1908 223456  
sales@niftylift.com  
www.niftylift.com



IS-107